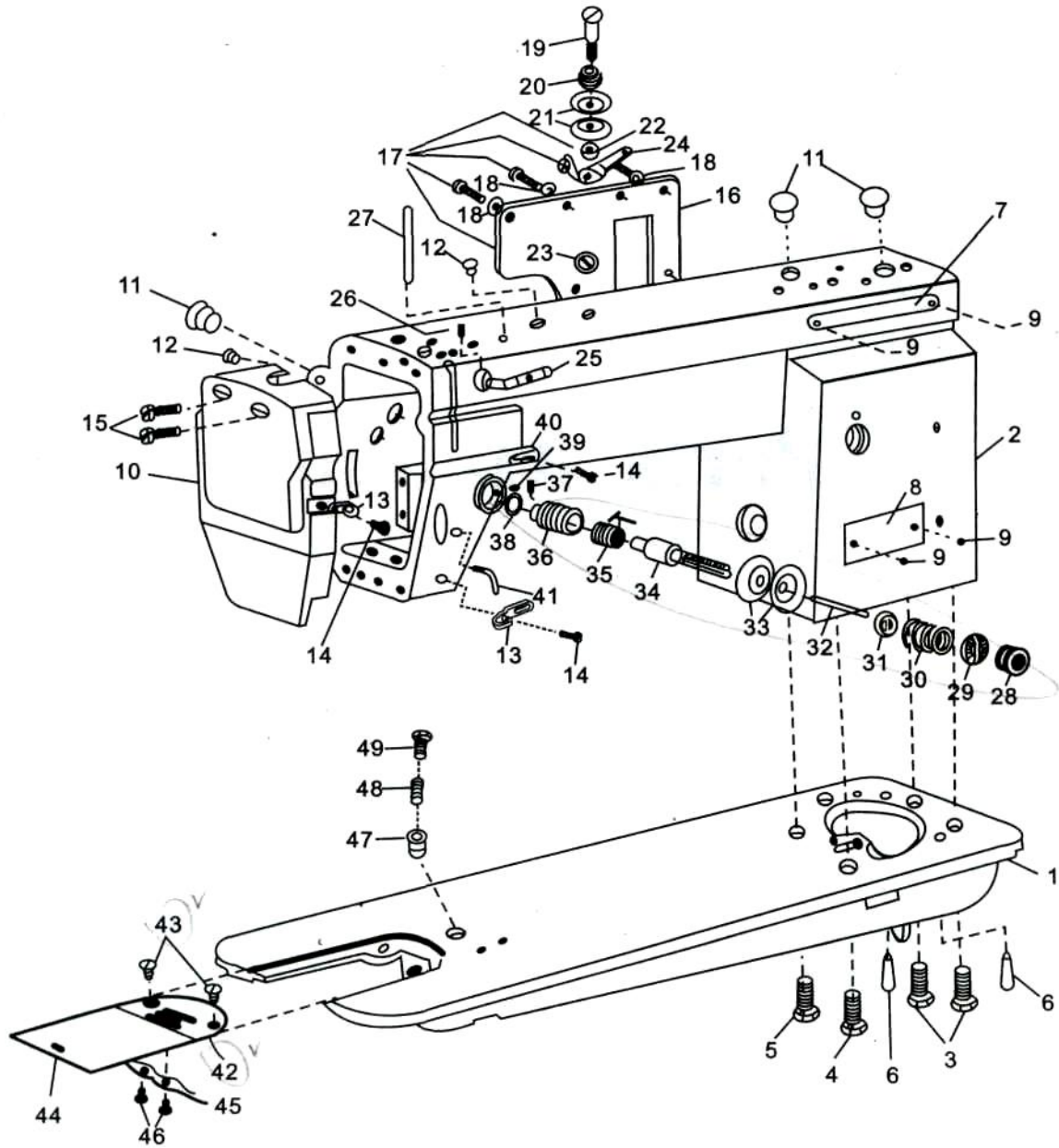


Parts Book

GC 6-7

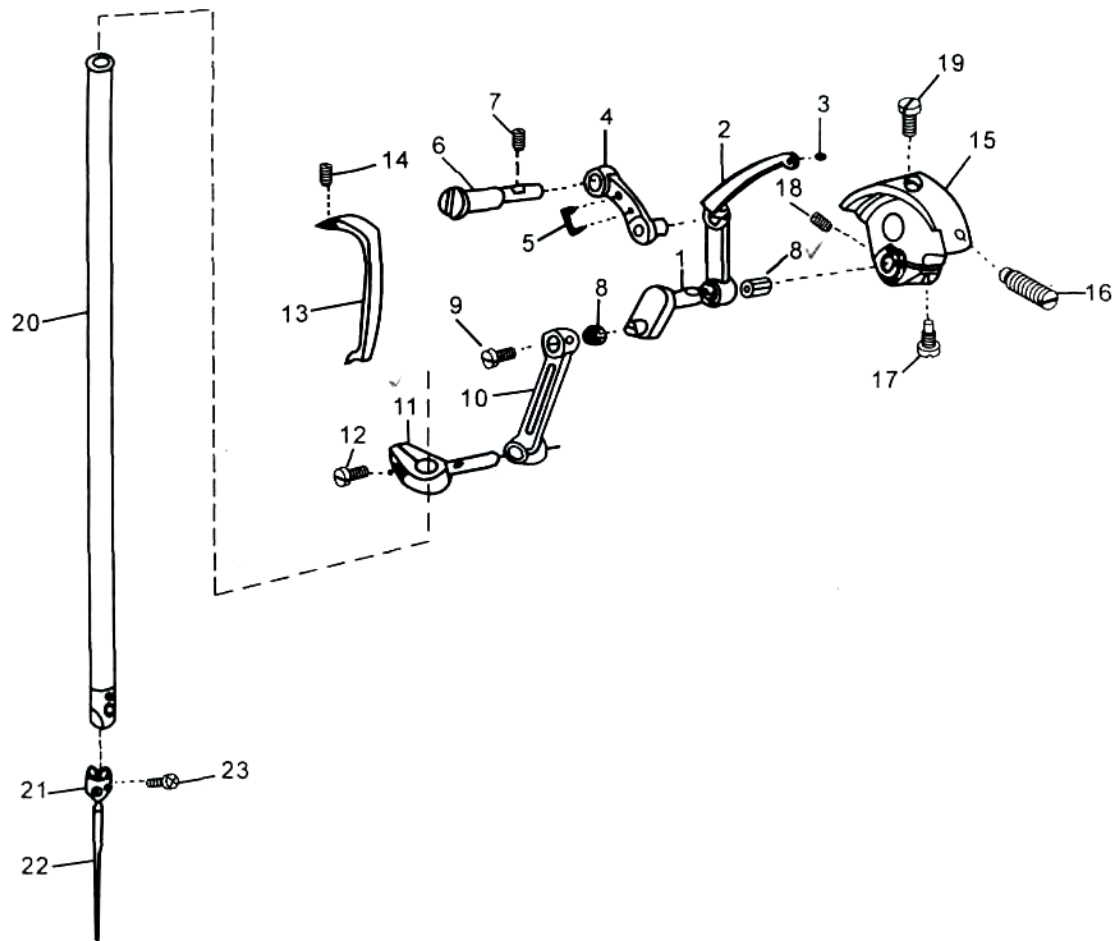
1. Arm and Bed



1. Arm and Bed

No.	Parts Number	Name	Qt.	Remark
1	34T4-401	Machine bed	1	
2	34T4-401	Machine arm	1	
3		Screw	2	M10X28 GB30 66
4		Screw	1	M12X38 GB30 66
5	33T4-011	Screw	1	M12X38 GB30 66
6		Pin	2	6X30 GB117 66
7	34T4 - 403	Name plate	1	
8	33T4 - 009	Trade mark	1	
9	J0-0.80	Nail	4	
10	35T4-402a	Face plate	1	
11	22T1 - 003C3	Rubber plug(Φ 19)	1	Φ19
		Rubber plug(Φ 19)	2	Φ19
12	22T1 - 014C4	Rubber plug	1	Φ11.8
		Rubber plug	1	Φ11.8
13	22T1 - 003C5	Rubber plug	2	
14	22T1 - 003C6	Thread finger	2	
		Screw	1	
15	22T1 - 004	Screw	2	
16	33T4 - 405	Screw	1	
17	22T1 - 006	Rear cover	6	
18	22T1 - 007	Screw	6	
19	22T1 - 009E1	Washer	1	
20	22T1 - 009E2	Screw	1	
21	22T1 - 009E3	Spring	2	
22	22T1 - 009E4	Thread tension disc	1	
23		Shim	1	3 GB896
		Split retainer		
24	22T1-009E5	Thread guide plate	1	
25	22T1-010	Three-eye thread finger	1	
26	22T1-011	Screw	1	
27	33T1-004	Oil pipe	1	
28	22T1-012F2	Nut		
29	22T1-012F10	Stop plate	1	
30	33T4-008C1	Spring plate	1	
31	22T1-012F4	Thread tension releasing	1	
32	22T1-012F9	Pin	1	
33	22T1-012F5	Thread tension plate	1	
34	22T1-012F1	Screw	1	
35	22T1-012F6	Thread take-up spring	1	
36	22T1-012F7	Thread tension adjusting bracket	1	
37	22T1-012F8	Screw	1	
38	22T1-012F11	O-type ring	1	
39	22T1-013	Set screw	1	
40	22T1-014	Thread finger	1	
41	35T4-404	Needle plate	1	
42	22T1-020	Spring	2	SM11/64"x40x4.5
43	20T1-013F1	Slide plate	1	
44	20T1-013F2	Spring	1	
45	20T1-013F3	Screw	2	
46	1WF1 -032	Oil plug	1	
47	33T1 -030-A	Position finger	1	
48	33T1-032-A	Seal ring	1	
49	33T1-033-A	Cover	1	
50	33T1-034-A	Press plate	1	
51	22T7 -015	Screw	4	SM9/64"X40X 11
52	34T4-405	Thread guide	1	

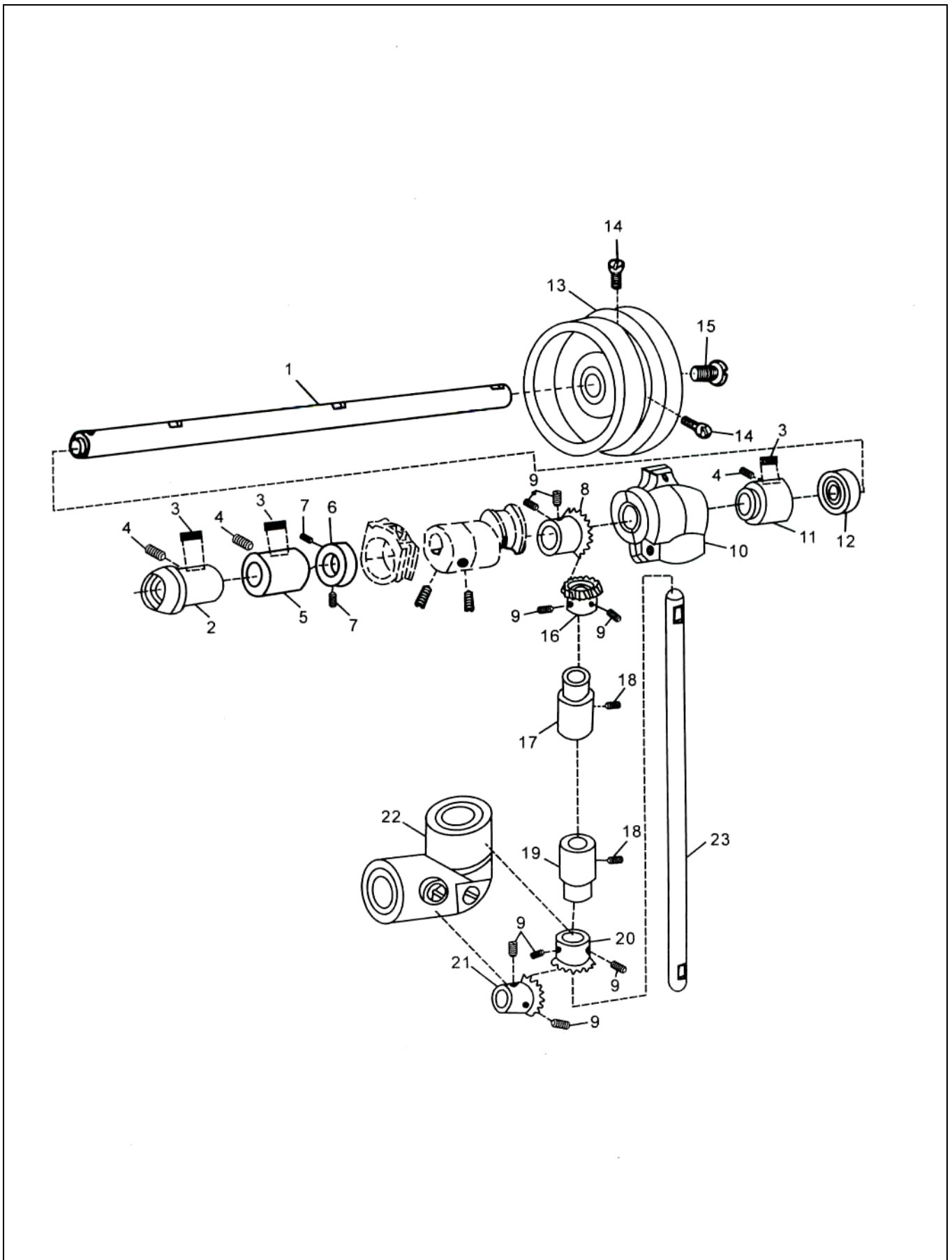
2. Needle Bar And Thread Take-up



2. Needle Bar And Thread Take-up

No.	Parts Number	Name	Qt.	Remark
1	33T1 -001	Thread take-up crank	1	
2	33T1-004B1	Thread take-up lever	1	
3	33T1-004B2	Thread take-up lever eyelet bushing	1	
4	33T1 -003A1	Thread take-up lever link	1	
5	33T1 - 003A2	Oil wick	1	Φ 2 30
6	33T1 -002	Hinge pin	1	
7	J0 • 0 • 40	Screw	1	SM15/64"X28X10
8	19242/8	Needle bearing	2	8X12X8
9	22T2-001A6	Screw	1	
10	32T1 -014	Needle bar connecting link	1	
11	22t2-001A8	Needle bar connecting stud	1	
12	22T2-001A9	Screw	1	SM9/64"X40X6
13	33T4 - 007	Thread take-up lever guard	1	
14	22T2 - 004	Screw	1	SM11/64"X40X5.5
15	33T1 -006C1	Needle bar crank	1	
16	33T1-006C2	Screw	1	
17	33T1 -006C3	Screw	1	
18	22T2 -005B3	Position screw	1	SM1/4"X40X7
19	61-04-01/B2	Position screw	1	
20	33T1-017	Needle bar	1	
21	22T2-015	Thread guide	1	
22		Needle	1	DPX17 21 [#]
23	22T1-017	Needle set screw	1	SM11/8"X44X4.5

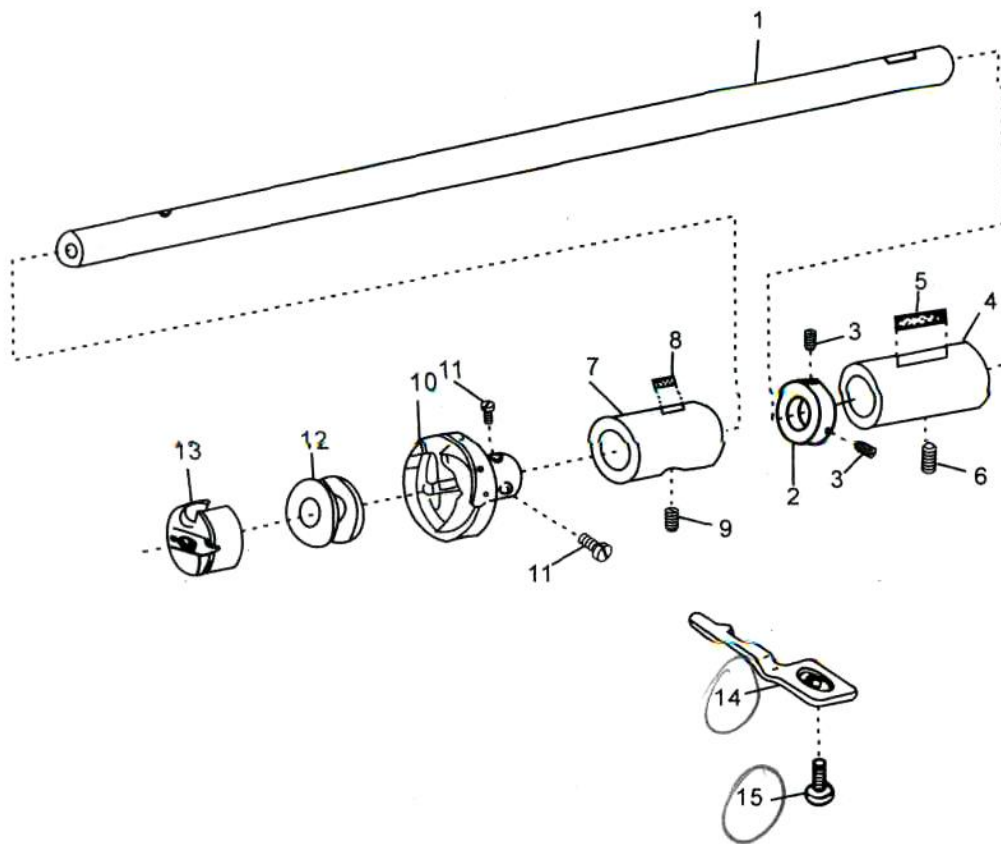
3. Upper Shaft And Vertical Shaft



3. Upper Shaft And Vertical Shaft

No.	Parts Number	Name	Qt.	Remark
1	33T1 -008	Upper shaft	1	
2	33T1 -007D1	Bushing(front)	1	
3	33T1 -007D2	Oil felt	3	
4	JO • 0 • 40	Set screw	3	SM15/64" X 28x10
5	33T1 -009E1	Bushing (middle)	1	
6	22T3-002B1	Collar	1	
7	22T3 - 002B2	Set screw	2	SM1/4"x40x4
8	22T3-010E2a1-2	Bevel gear	1	
9	22T2 - 005B3	Screw	8	SM 1/4" x 40x7
10	33T1-010F	Bevel gear case(upper)complete	1	
11	33T1 -011G1	Bushing(rear)	1	
12	22T3 - 006F	Oil seal assembly	1	
13	33T1-024	Balance wheel	1	
14	22T3 - 007C2	Screw	2	
15		Screw	1	
16	22T3-01E2a2-2	Vertical shaft bevel gear(upper)	1	
17	33T1 -025Q1	Vertical shaft bushing(upper)	1	
18	JO • 0 • 40	Screw	2	SM 15/64" X 28x12
19	33T1 -023P1	Vertical shaft bushing(lower)	1	
20	22T3-010E2b2-2	Vertical shaft bevel gear(lower)	1	
21	22T3-010E2b1-2	Rotating hook shaft bevel gear	1	
22	33T1 - 022N	Bevel gear case(lower)assembly	1	
23	33T1 - 026	Vertical shaft	1	

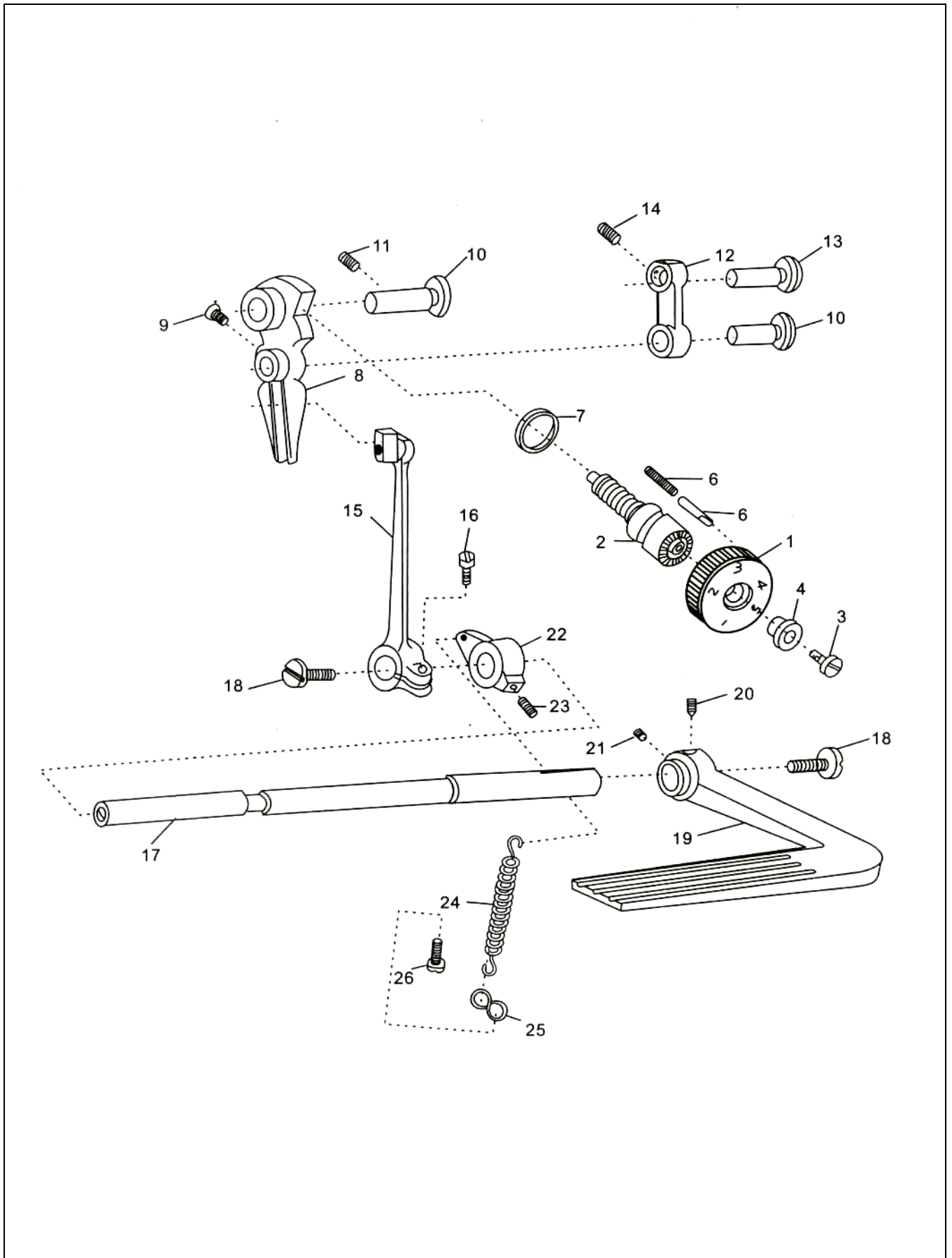
4. Rotating Hook And Its Shaft



4. Rotating Hook And Its Shaft

No.	Parts Number	Name	Qt.	Remark
1	33T1 - 020L	Hook shaft complete	1	
2	22T4-002B1	Collar	1	
3	J0 • 0 • 35	Screw	2	
4	33T1 -021M1	Rear bushing	1	
5	33T1 -021M2	Felt	1	
6	J0 • 0 • 81	Screw	1	SM15/64" x 28X7.5
7	33T1 -019K1	Front bushing	1	
8	33T1 -019K2	Felt	1	
9	33T1-018J	Rotating hook complete	1	
10	33T1 -018J3	Screw	3	
11	33T1 - 027	Bobbin	1	
12	33T1 - 028R	Bobbin case complete	1	
13	33T1 - 029	Position finger	1	
14	22T4-015	Screw	1	SM11/64"X40X10

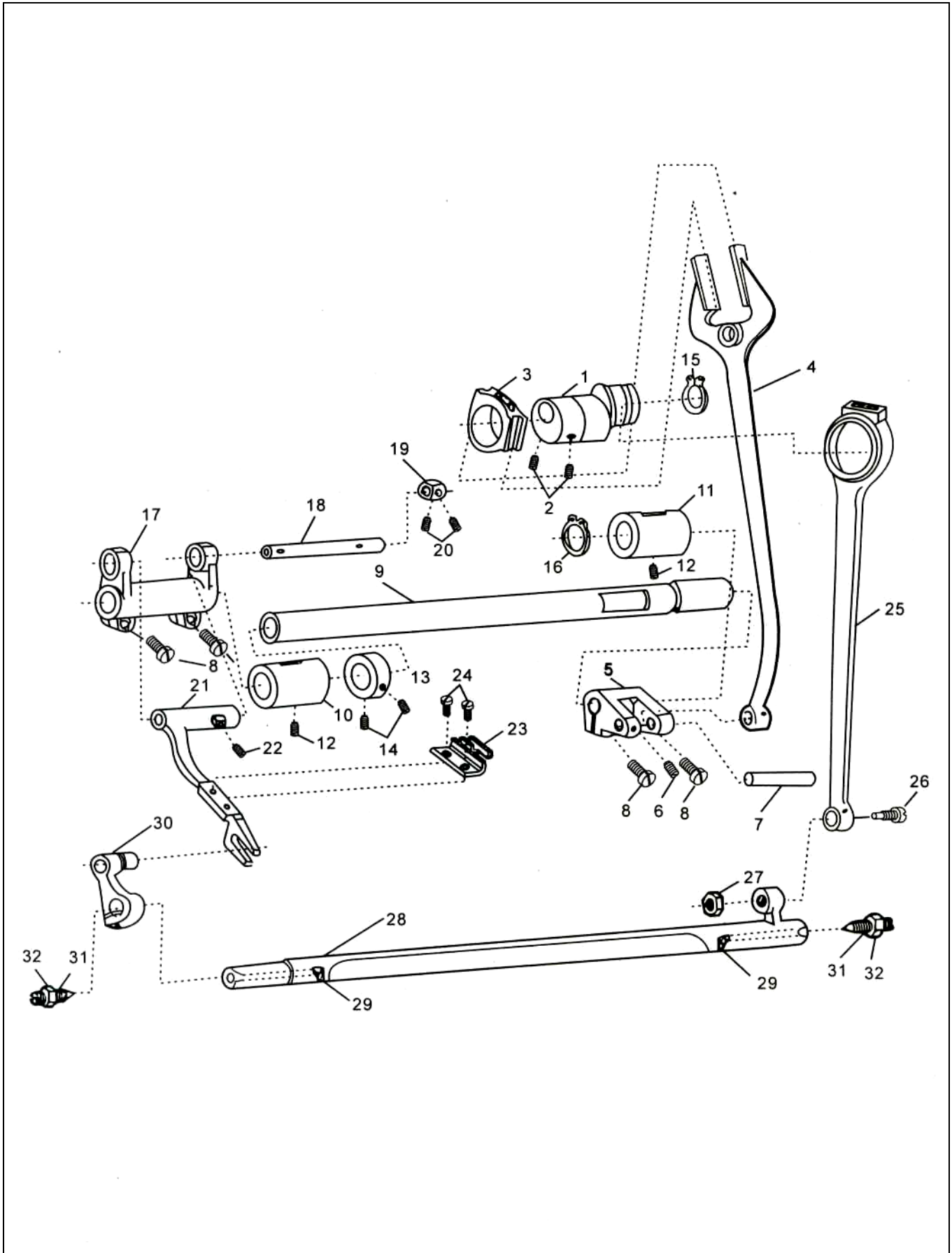
5. Stitch Length Regulating



5. Stitch Length Regulating

No.	Parts Number	Name	Qt.	Remark
1	33T2-012	Stitch length dial	1	
2	33T2-011	Stitch length adjusting screw bar	1	
3	22T5 - 006C3	Screw	1	SM3/16"x28x 13
4	22T5 - 007	Rubber plug	1	
5	22T5 - 008	Stop pin	1	
6	22T5 - 009	Spring	1	
7		O-type ring	1	O Φ 14x2.4
8	33T2-013-A	Swing bar	1	
9	17T5-010	Set screw	1	SM1/4"x40x9
10	33T2 - 024 -A	Hinge shaft	2	
11	J0 • 0 • 81	Screw	1	SM15/64" x28x 7.5
12	33T2 - 025 -A	Stitch length link	1	
13	33T2 - 026 -A	Pin	1	
14	22T2 - 005B3	Set screw	1	SM1/4"x40x7
15	33T2-19C	Reverse feed swing lever complete	1	
16	22T6-001A1b	Screw	1	SM3/16"x28x 12
17	33T2 - 020	Reverse feed shaft	1	
18	17T5-019	Screw	2	SM3/66"x32x 10
19	17T5-015	Reverse feed lever	1	
20	17T5-017	Set screw	1	SM 15/64" x 28x8
21	17T5-016	Set screw	1	SM 15/64" x 28x6.5
22	33T2-021	Reset lever	1	
23	6A6 - 08A	Screw	1	SM1/4"x40x 12
24	33T2 - 022	Spring	1	
25	33T2 - 023	Set hook for spring	1	
26	22T1-006	Screw	1	SM11/64" x 40

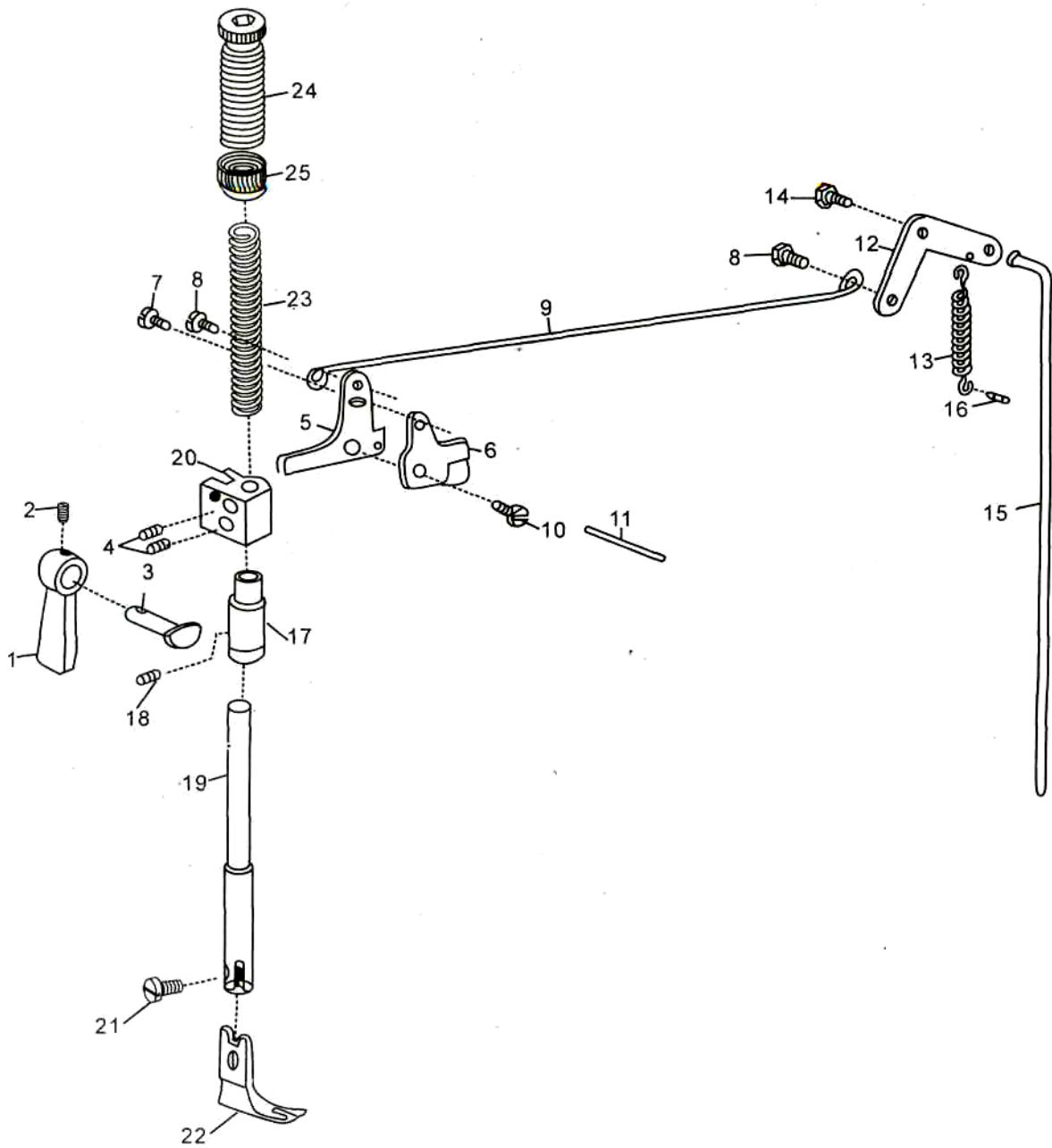
6. Bottom Feed



6. Bottom Feed

No.	Parts Number	Name	Qt.	Remark
1	33T2- 14-A	Feed cam	1	
2	22T1 -013	Screw	2	SM15/64"X28X8
3	22T3-009D1a2	Slide block complete	1	
4	33T2- 17-A	Fork	1	
5	33T2 -009 - A	Feed crank	1	
6	61-04-01/B4/Z1	Screw	2	SM1/64"X40X4.5
7	34T2 - 203	Pin	1	
8	J0 • 0 • 71	Set screw	4	SM3/16"x28x15
9	33T2 - 008 - A	Feed shaft	1	
10	33T2-028-A	Front bushing	1	
11	33T2-027-A	Rear shaft	1	
12	J0 • 0 • 81	Screw	2	SM15/60"x28x 7.5
13	22T3-002B1	Collar for upper shaft	1	
14	22T2 - 005B3	Screw	2	SM1/4"X40X7
15		Stop ring	1	GB894.1-86-20
16		Stop ring	1	GB894.1-86-14
17	33T2-029-A	Front crank	1	
18	33T2 - 006	Feed dog shaft	1	
19	33T2 - 007	Collar	1	
20	22T1 -012F8	Screw	2	SM9/64"X40X6
21	33T2 - 005	Feed dog support	1	
22	61 -04-01/B4-Z1	Screw	2	SM1/8"x40x4.5
23	35T2-201	Feed dog	1	
24	J0 • 0 • 51	Screw	2	SM1/8"X40x5.5
25	33T2-018B-A	Link	1	
26	17T4 - 002	Connecting screw	1	
27	J0 • 0 • 63	Nut	1	SM9/32"X28
28	33T2 - 001	Shaft for feed dog lift	1	
29		Oil wick	2	Φ 35
30	33T2 - 004A	Feed dog lift crank complete	1	
31	33T2 - 002	Screw	2	SM3/8"X28X31
32	33T2 - 003	Nut	2	SM3/8"X28

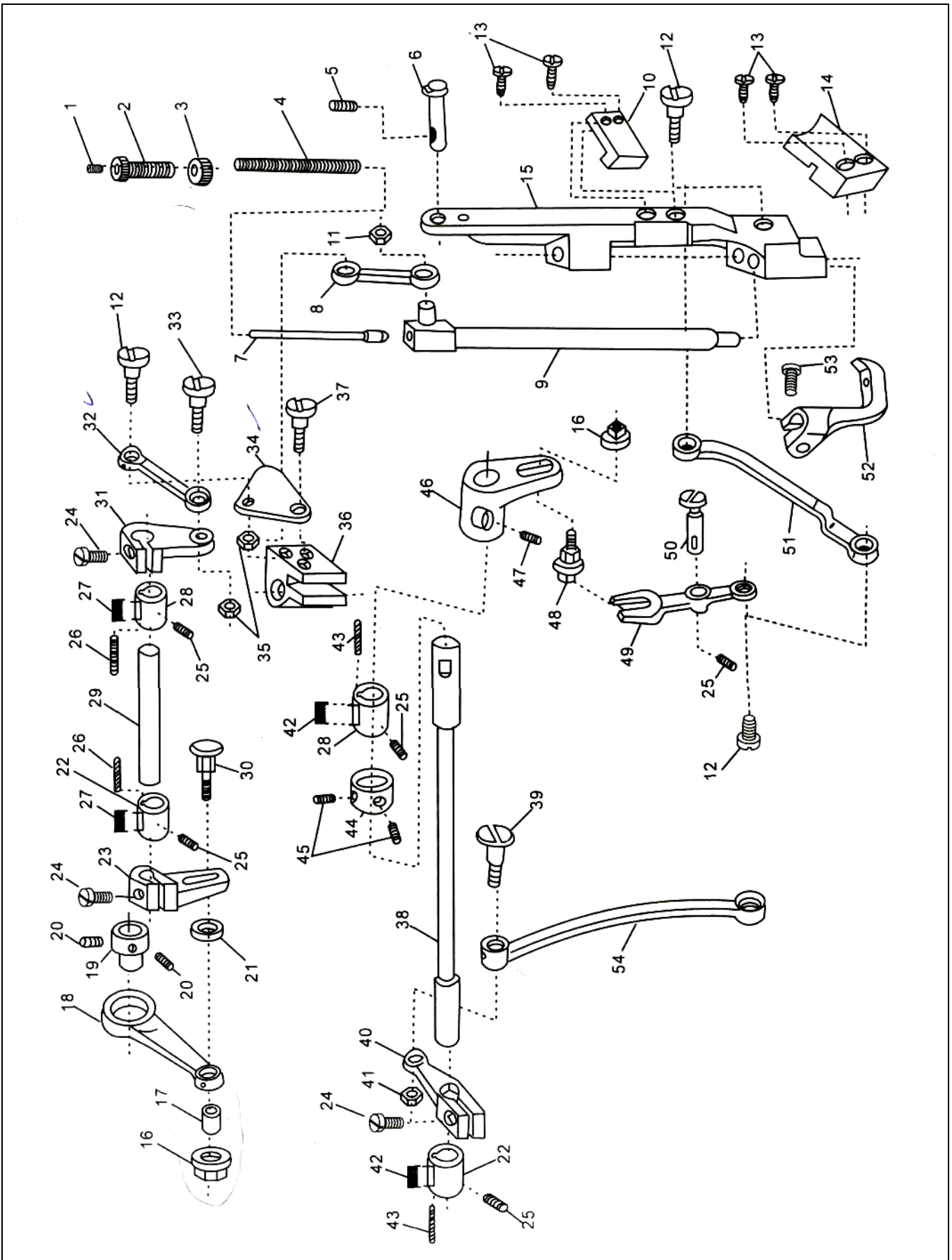
7. Presser Bar



7. Presser Bar

No.	Parts Number	Name	Qt.	Remark
1	34T3 - 304	Presser bar lifter	1	
2	22T7-001A2	Screw	1	
3	33T3 - 004	Presser bar lifting cam	1	
4	J0 • 0 • 40	Set screw	1	
5	22T7-004B1a	Knee lifter lever(left)	1	
6	22T7-004B1b	Tension releasing cam	1	
7	22T7-004B1c	Screw	2	
8	22T7 - 004B2	Screw	1	
9	22T7 - 004B3	Knee lifter link	1	
10	22T7 - 005A	Screw	1	
11	22T7 - 006	Tension releasing rod	1	
12	22T7-007C1	Knee lifter lever(right)	1	
13	22T7 - 007C2	Spring	1	
14	22T7 - 005	Screw	1	
15	33T3-001	Knee lifter lever lifting rod	1	
16	22T7 - 008	Connecting spring pin	1	
17	35T3 - 303	Presser bar bushing	1	
18	22T2-013	Screw	1	
19	35T3 - 302	Presser bar	1	
20	34T3-301	Position block	1	
21	22T2-019	Screw	1	
22	35T3-304	Presser foot	1	
23	34T3-302	Spring	1	
24	34T3-301	Pressure regulating thumb screw	1	
25	22T7-014	Lock nut	1	
			1	
			1	

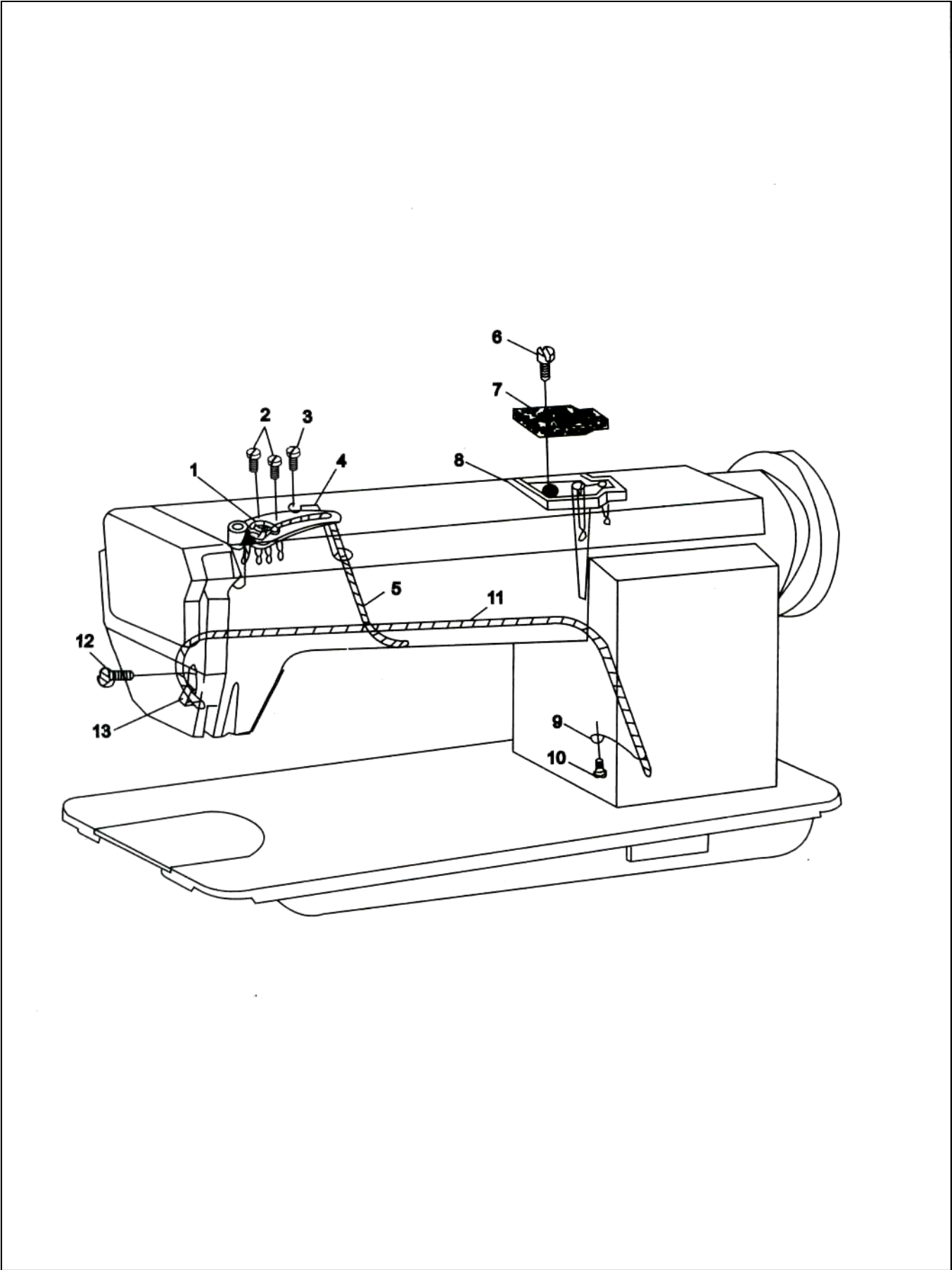
8.Top feed



8. Top feed

No.	Parts Number	Name	Qt.	Remark
1	34T5-501	Oil felt	1	
2	34T5 - 503	Screw	1	
3	34T5 - 503	Lock nut	1	
4	35T5 - 501	Spring	1	
5	J0 • 0 • 40	Screw	1	
6	35T5 - 504	Needle bar move stand shaft	1	
7	35T5-505	Spring bar	1	
8	35T5 - 507	Presser foot lift connecting rod	1	
9	35T5 - 509	Small presser foot presser bar	1	
10	35T5-513	Slot for slide block	1	
11	33T5-013	Slide block	1	
12	34T5 - 507	Screw	3	
13	22T2-019	Screw	4	
14	35T5 - 511	Rail block	1	
15	35T5-510	Needle bar move stand	1	
16	34T5-531c	Nut	2	
17	34T5-519	Washer	1	
18	34T5 - 520	Link	1	
19	34T5-516	Presser foot lift eccentric	1	
20	01/B602	Screw	2	
21	34T5-521	Washer	1	
22	34T5 - 538a	Rear bushing	2	
23	34T5-517	Rear crank	1	
24	34T5 - 540	Screw	1	
25	J0 • 0 • 3 5	Set screw	2	
26	34T5 - 536c	Cotton wick	2	Φ 2 X19
27	34T5 - 536b	Oil felt	2	
28	34T5 - 536c	Front bushing	2	
29	34T5 - 537	Presser foot lift shaft	1	
30	34T5 - 522	Screw	1	
31	34T5 - 535	Front crank	1	
32	34T5 - 534	Link	1	
33	34T5 - 527	Bolt	1	
34	34T5-513b	Presser foot lift lever	1	
35	35T5 - 506	Nut	2	
36	35T5-301	Presser foot position block	1	
37	34T5 - 527	Bolt	1	
38	34T5-539	Needle bar move shaft	1	
39	17T4-002	Screw	1	
40	34T5-523	Rear crank	1	
41	61-04-01/B06	Connecting nut	1	
42	34T5 - 538b	Oil felt	2	
43	34T5-438c	Cotton wick	2	
44	34T5-532	Collar	1	
45	22T3-002B2	Screw	2	
46	34T5-533	Front crank	1	
47	01/B902	Screw	1	
48	34T5-531	Slide block complete	1	
49	34T5-529	Fork bar	1	
50	34T5-530	Pin	1	
51	35T5-512	Needle bar move link	1	
52	35T5-502	Small presser foot	1	
53	22T2-001A9	Screw	1	
54	34T5-524	Swing presser foot link	1	

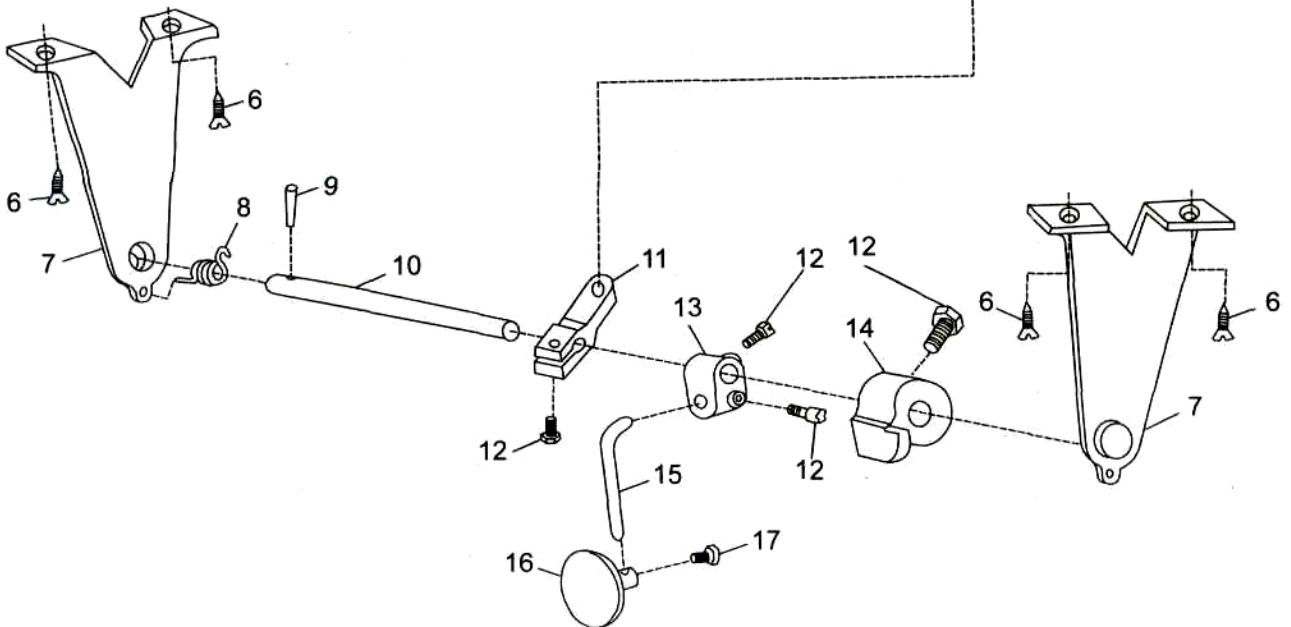
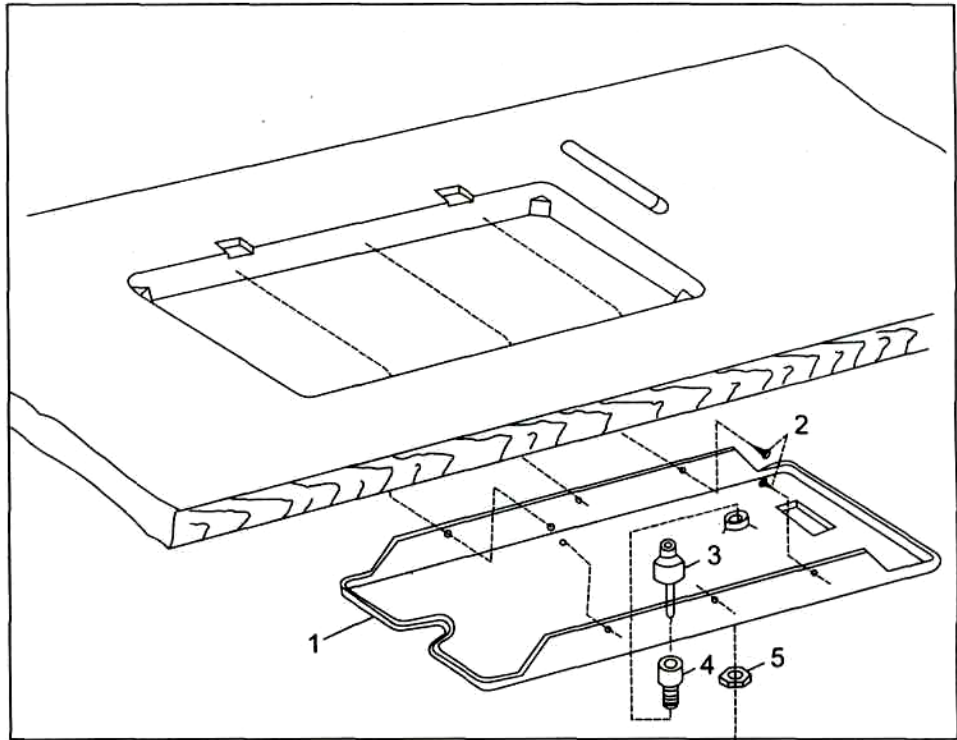
9. Lubrication



9. Lubrication

No.	Parts Number	Name	Qt.	Remark
1	22T8-011C	Oil wick fixing plate assembly	1	
2	22T8-012	Screw	2	
3	22T8-011C4	Screw	1	
4	22T8-011C5	Oil wick fixing hook	1	
5	22T8-011C3	Oil wick	1	
6	33T4-005B2	Screw	1	
7	33T4-005B3	Felt	1	
8	33T4-005B1	Small oil reservoir	1	
9	33T4-010	Position hook	1	
10	22T2-004	Screw	1	
11		Oil wick	1	
12	22T2-004	Long oil wick clamp	1	
	22T8-016		1	

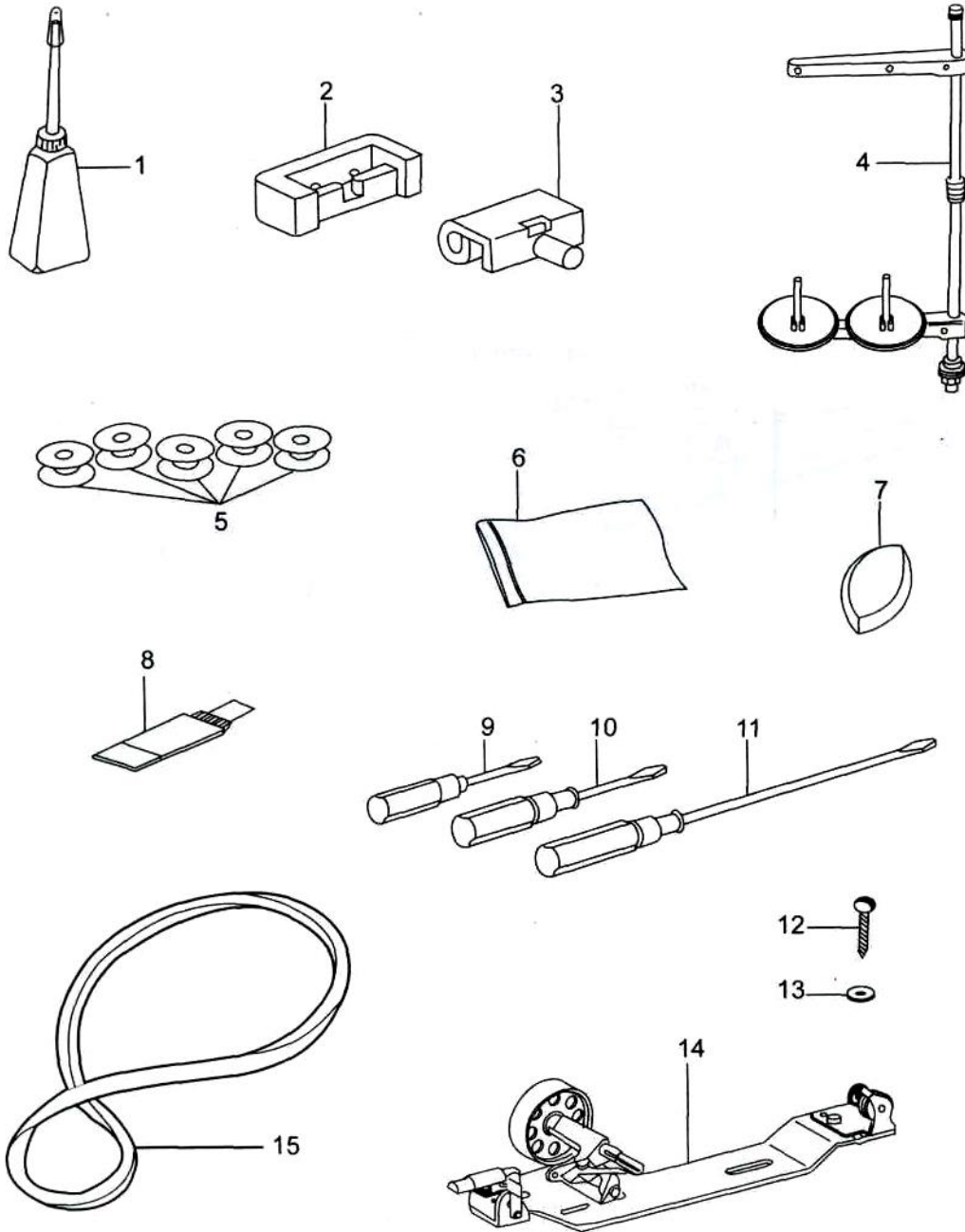
10. Oil Reservoir And Knee Lifter



10. Oil Reservoir And Knee Lifter

No.	Parts Number	Name	Qt.	Remark
1	33T5-001	Oil reservoir	1	
2		Nail	6	L22
3	33T5 - 003	Knee lifter prop rod	1	
4	33T5 - 004	Guide bushing	1	
5		Hexagon nut	1	M12X1 GB53-76
6		Wood screw	4	5x18 GB99-76
7	33T5 - 005	Knee lifter rock shaft bracket	2	
8	33T5 - 006	Spring	1	
9		Spring pin	1	3x12 GB119-76
10	33T5-007B1	Knee lifter rock shaft	1	
11	33T5 - 002	Knee lifting crank	1	M8X11 GB21-76
12		Screw	4	
13	33T5 - 008	Joint	1	
14	33T5-011E1	Stop dog	1	
15	33T5 - 009	Knee lifter bell crank	1	
16	33T5-010F	Knee lifter knee plate assembly	1	
17		Set screw	1	M6X10 GB21-76

11. Accessories



11. Accessories

No.	Parts Number	Name	Qt.	Remark
1	33TF-011	Oil pot	1	
2	33T7 - 003	Hinge	2	
3	33T7 - 002	Rubber coat	2	
4	33TF-019	Spool stand complete	1	
5	33T1 -027	Bobbin	5	
6	33TF-010	Parts bag	1	
7	33T7 - 004	Arm vibration proof washer bock	4	
8	1F - 009	Needle	1	DPx17 23 [#]
9	33TF-014	Screwdriver(small)	1	
10	33TF-013	Screwdriver(medium)	1	
11	33TF-012	Screwdriver(big)	1	
12	33TF-017	Wood screw	2	50 x 20 GB99-86
13	33TF-018	Washer	2	6 GB848-85
14	S14420020	Bobbin winder assembly	1	
15	33TF-016	V-belt	1	O 1050